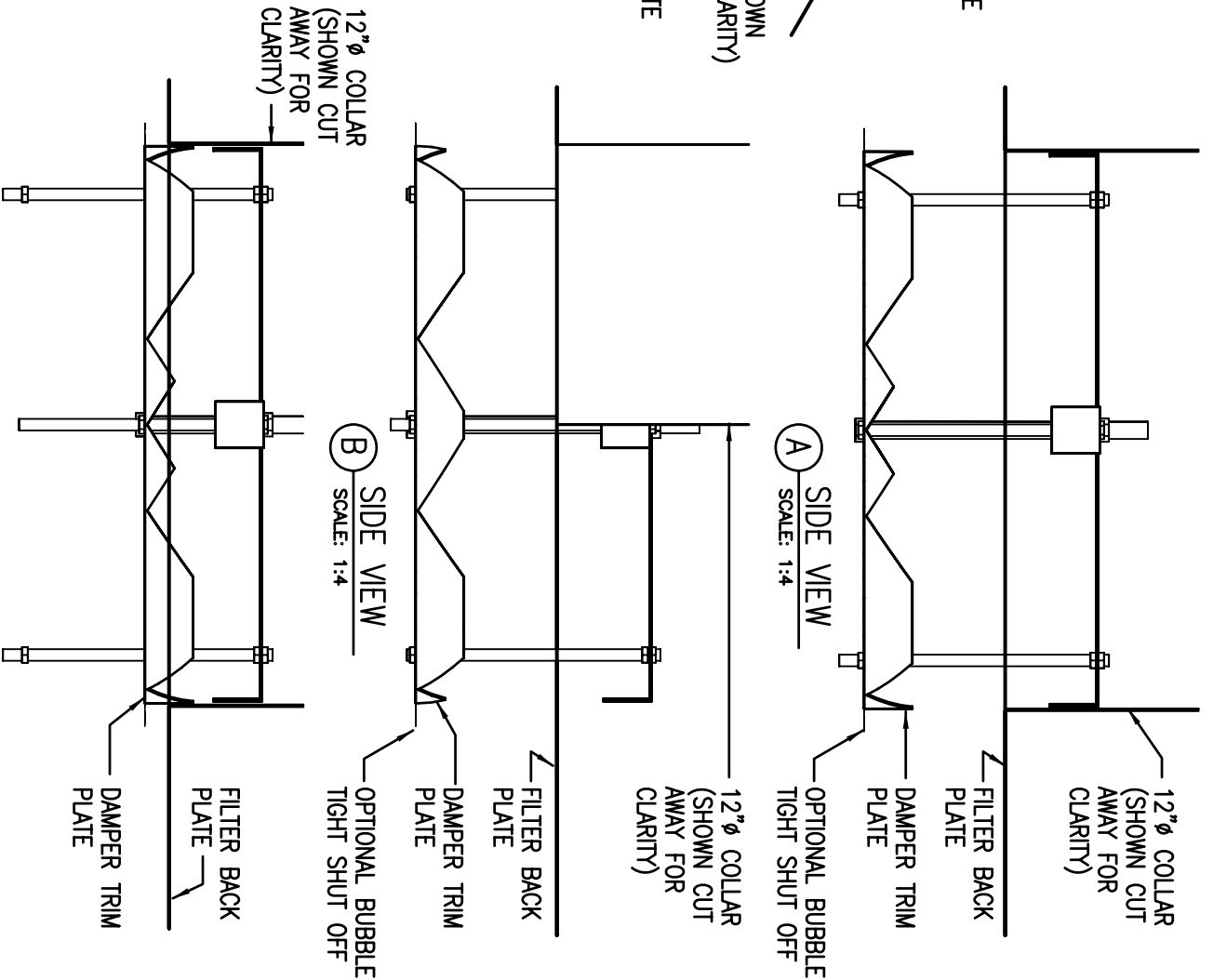


1 ISOMETRIC VIEW
SCALE: 1:4

SEE
DETAIL
B-1



2 SIDE VIEW - PARTIALLY CLOSED
SCALE: 1:4

B SIDE VIEW
SCALE: 1:4

A SIDE VIEW
SCALE: 1:4

REVISIONS	NO.	DATE



DAMPER TRIM PAN
STYLE No. 1

DESIGN: BJN
DRAWN: CRE
SCALE: AS NOTED
DATE: 02/23/05
DRAWING No.: SK-107