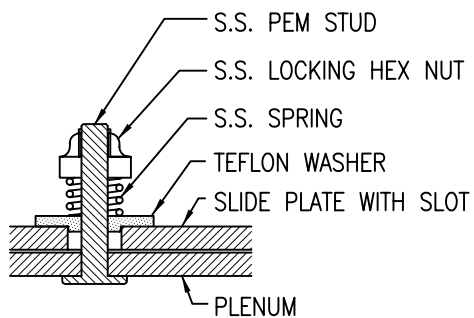
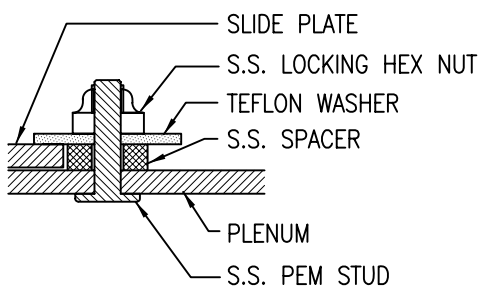


① HOOD DAMPER ASSEMBLY

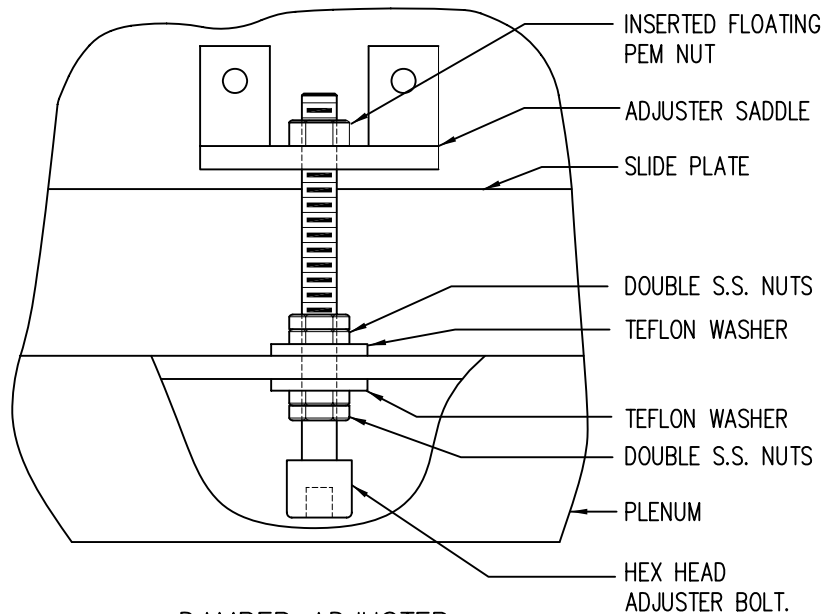


NOTE: MATING SURFACES OF SLIDE PLATE AND PLENUM TEFLON COATED.

② GUIDE & CLAMP STUD

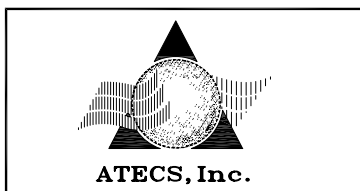


③ SLIDE PLATE GUIDE



④ DAMPER ADJUSTER

REVISIONS	
NO.	DATE



ATECS MODEL PD-26
HIGH PRESSURE
ZERO LEAK DAMPER

DESIGN: BJB
DRAWN: CRE
SCALE: NTS
DATE: 05/17/06
DRAWING No.: SK-118