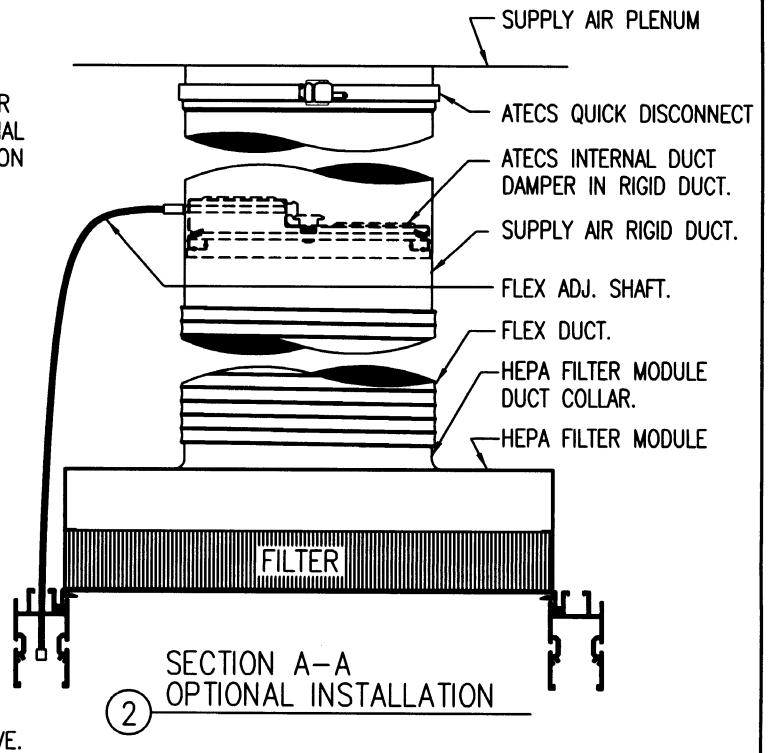
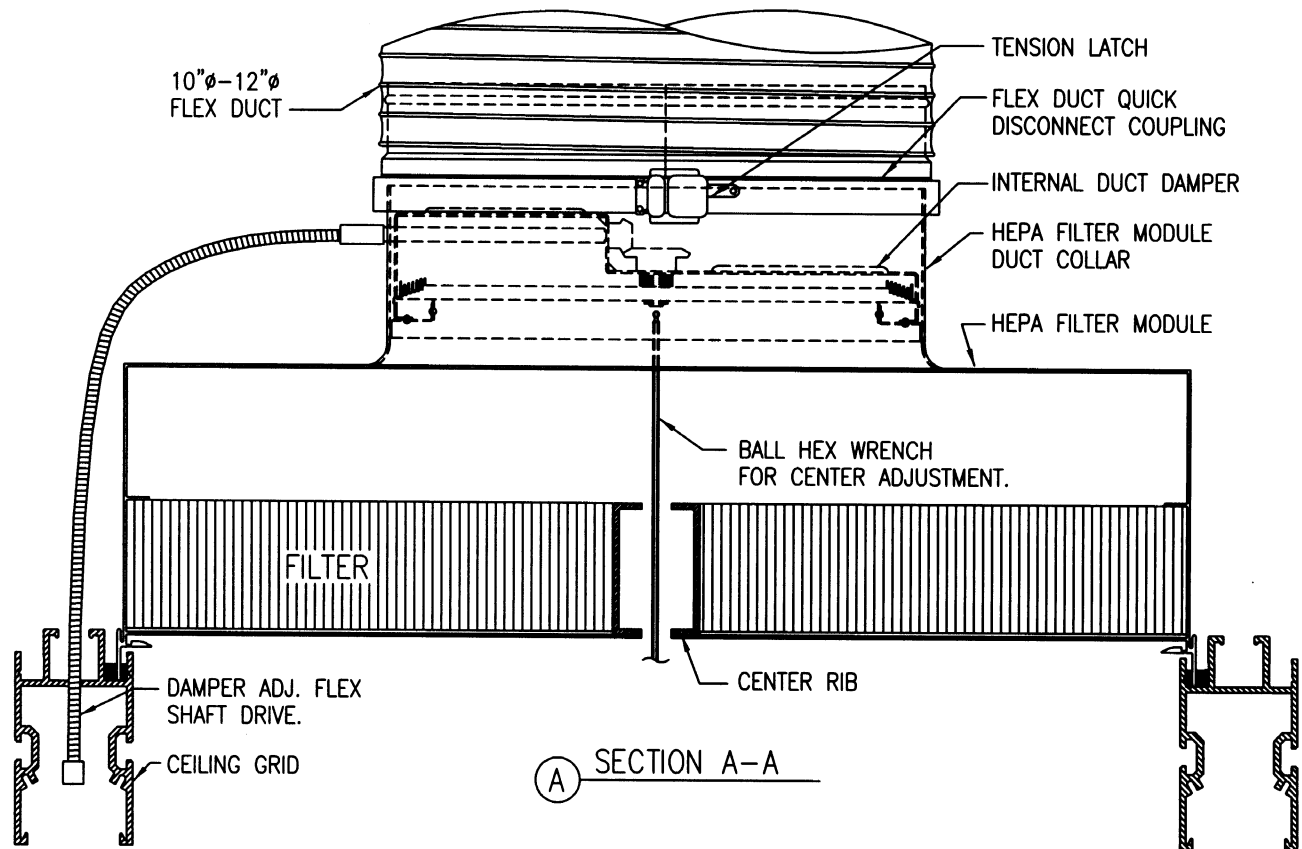


1 ISOMETRIC VIEW



2



A

REVISIONS	
NO.	DATE



INTERNAL DUCT DAMPER  
AND FLEX DUCT QUICK  
DISCONNECT COUPLING

DESIGN: BJN  
DRAWN: CRE  
SCALE: NONE  
DATE: 03/09/02  
DRAWING No.: SK-92